

RadiolP

Key Considerations

- Designed exclusively to support RD-LAP, ASTRO plus all public and and most private data networks
- Comprehensive end-to-end solution from one vendor
- First line support direct from RadiolP 24x7
- 12 Month standard warranty
- Discounts for extended maintenance/support which includes upgrades and improvements
- Shadoport will support legacy systems including TN3270, FLM and IP
- Roaming with Forwarding and Filtering
- Mobility Manager supports multiple RNC's offering a Windows GUI interface to manage the fleet
- A hot – standby configuration is readily available when an A/B switch is installed with 2 RNC's.
- Alarms with pager notification is available

PRODUCTS INCLUDE



MTG:	Flagship Middleware
RadioRoam:	Seamless roaming between different networks
ShadoPort:	Supports Legacy Applications Improves throughput by at least x 3 times on existing applications
MTG for POCKET PC:	Provides optimized connection to PocketPC's
Registration Host:	Supports Multiple RNC's plus Hot Standby
Mobility Manager:	RNC Management Tool
Mobile VPN:	End-to-End Network Security
Xpdata:	Supports parsing out of large files over time without impacting network throughput for others or connectivity

MTG: MOBILE TCP/IP GATEWAY



NETWORKS SUPPORTED:

RD-LAP, Dataradio, ASTRO, Ma/COM, ESTeem, EDACs, OpenSky, Mobitex, TAIT, Satellite, Switched Networks, iDEN, GPRS, EDGE, IxRTT, 802.11b-g, EV-DO

ENCRYPTION

TRIPLE DES, AES, FIPS 140-2, FIPS 140-1 DES, SHA-1, RSA, HMAC-SHA-1

PERFORMANCE ENHANCEMENT

Optimized TCP/IP 11 bytes overhead/packet with up to 90% compression
Supports legacy software including TN3270
Allows out of the box TCP/IP applications without requiring an API
Maintains Network Connection/Persistence
Static IP & Optimized DHCP
No API's required: TCP/IP Out of the Box

ROAMING

Seamless Roaming
Extends the perceived coverage area
Intelligent Roaming based on network type including 802.11xx Optimization

EASY TO INSTALL

Virtual NIC Card

ADVANCED MANAGEMENT TOOLS

Supports GUI Management of RNC and Vehicle Fleet
Supports Redundant RNC's and Hot Standby
Pop Up Bubble Messages
Event Logs

MOBILE VPN

Provides secure end-to-end MOBILE VPN, designed for the radio environment

GPS

Supports GPS Pass Through & Legacy GPS

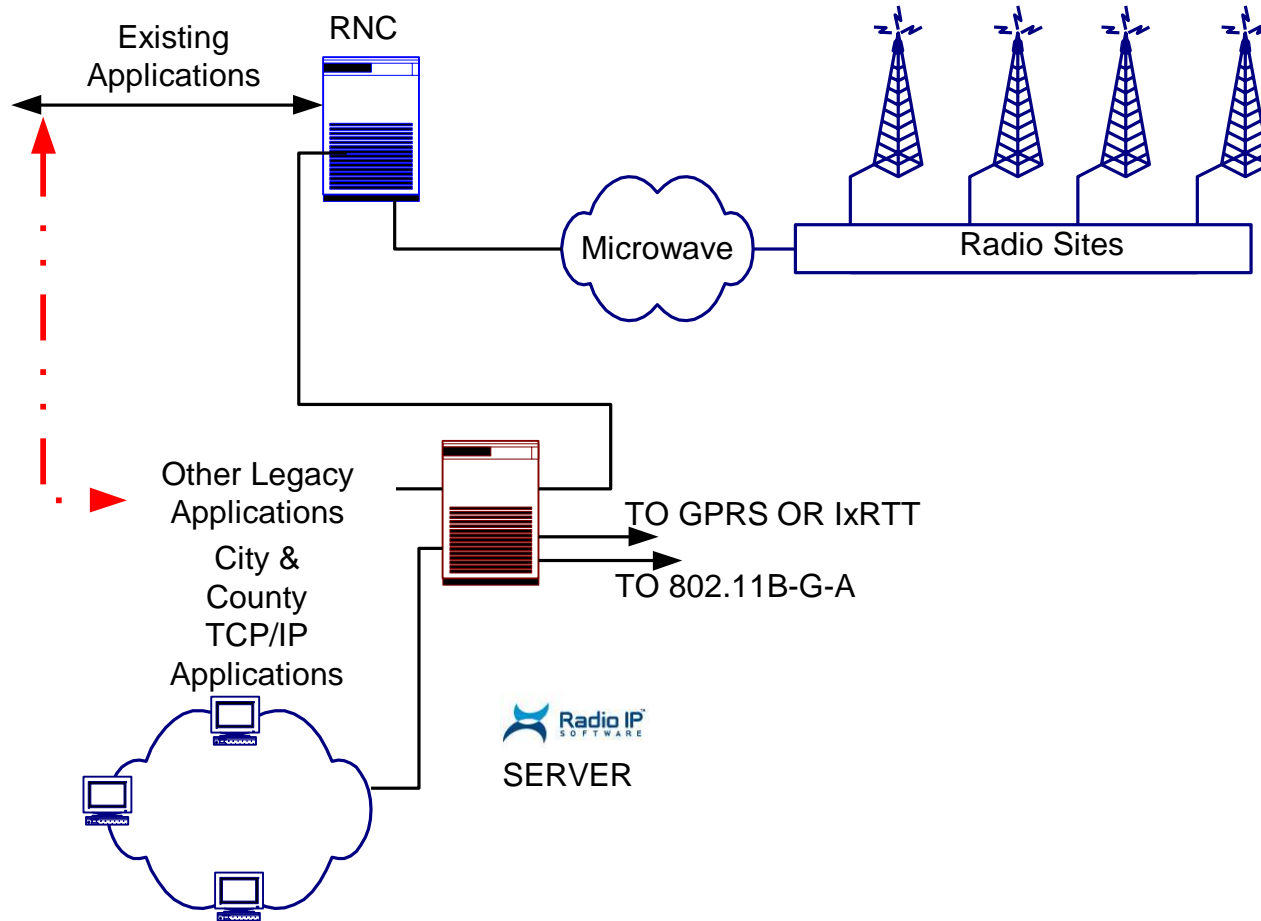
POCKETPC

Supports PocketPC
Maintains Application Connection and extends communication range

AUTHENTICATION

Password and/or Fingerprint User Authentication

TYPICAL CONFIGURATION



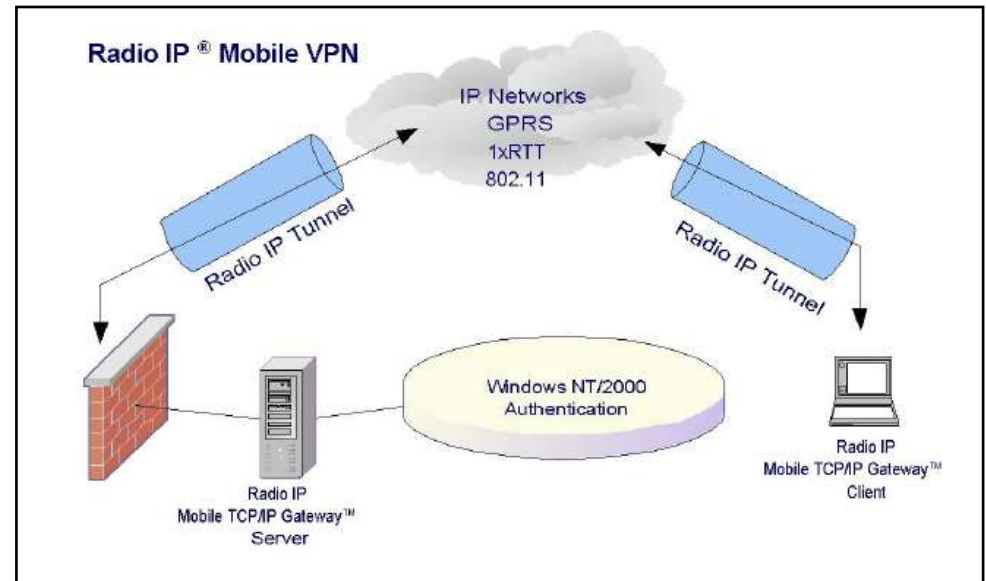
CLIENT
VPN
FLM
TCP/IP
Optimization
Encryption
Roaming



MOBILE VPN



- Secure Wireless Communications
- User Authentication
- Compression
- Encryption
- Encapsulation
- Data Verification
- Session Persistence
- Auto Reconnect
- Data Buffering
- Legacy Application Support
- Roaming



RADIO ROAM



Supports Public, Private & Broadband Systems

Intelligent Roaming to/from Narrow Banded & Wide Banded Systems

User Defined Roaming

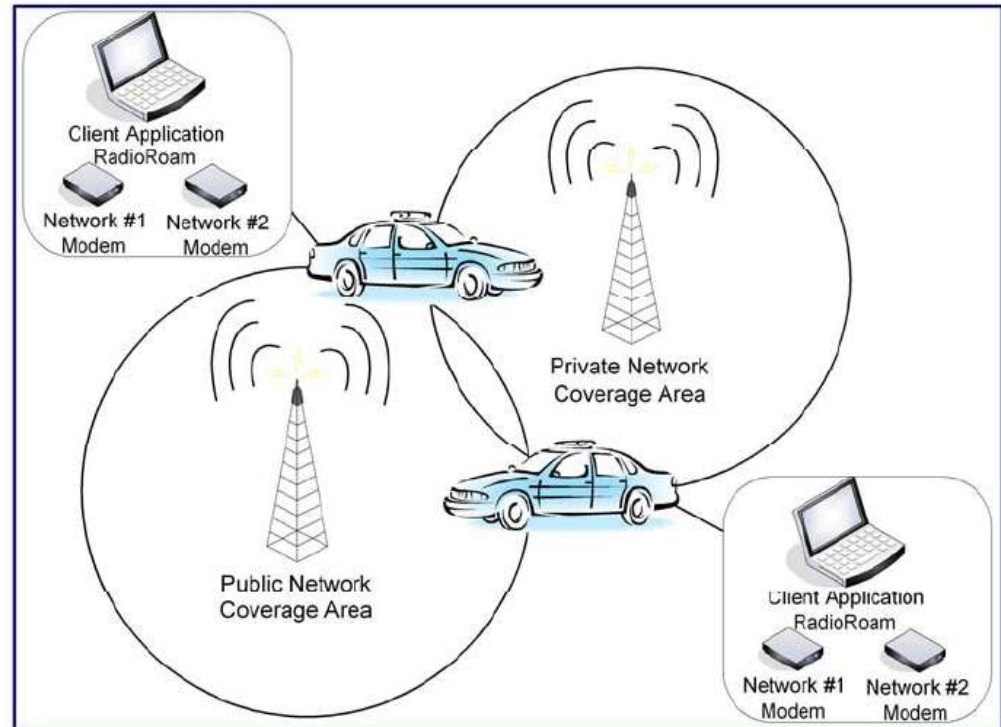
- Available Network
- Priority (5 levels)
- Time of Day
- Usage Cost

Session Persistence

- Maintain connection

VPN Persistence

- Authentication, Encryption and Encapsulation is maintained



Forward & Filter: Send larger files via defined paths

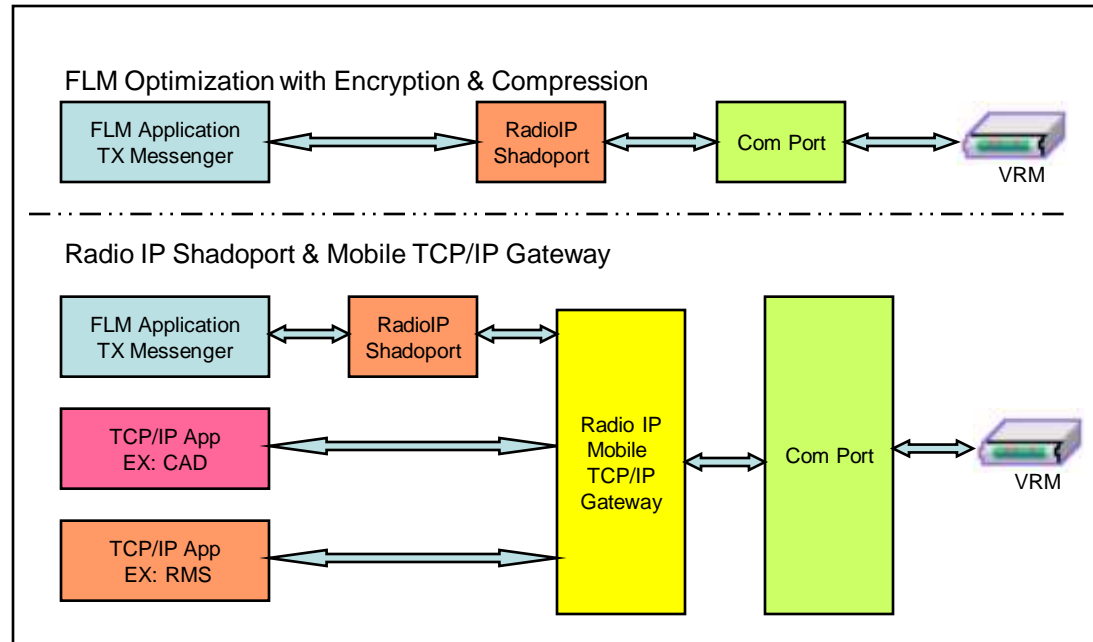
Flexible: CDPD/GPRS/EDGE/IxRTT/EV-DO RD-LAP/DMP/IPMobileNet/ESTeem/EDAC's OpenSky/Broadband 802.11xx/iDEN/Switched/Satellite

SHADOPOINT



FLM Applications (Tx Messenger) are multiplexed onto the VRM Comm Port allowing simultaneous FLM and IP applications to co-exist

- Without Shadoport, FLM app will monopolize the VRM Comm Port
- Supports Legacy Applications
- Encrypts FLM applications
- TCP/IP Optimization
- Up to 90 % Compression
- Reuse existing applications
- Supports TN3270
- Supports TX Messenger and other FLM Based Applications



MOBILITY MANAGER



Designed exclusively for Motorola DataTac and ASTRO Systems.

RNC Gateway: Mobility Manager provides simplified network connection

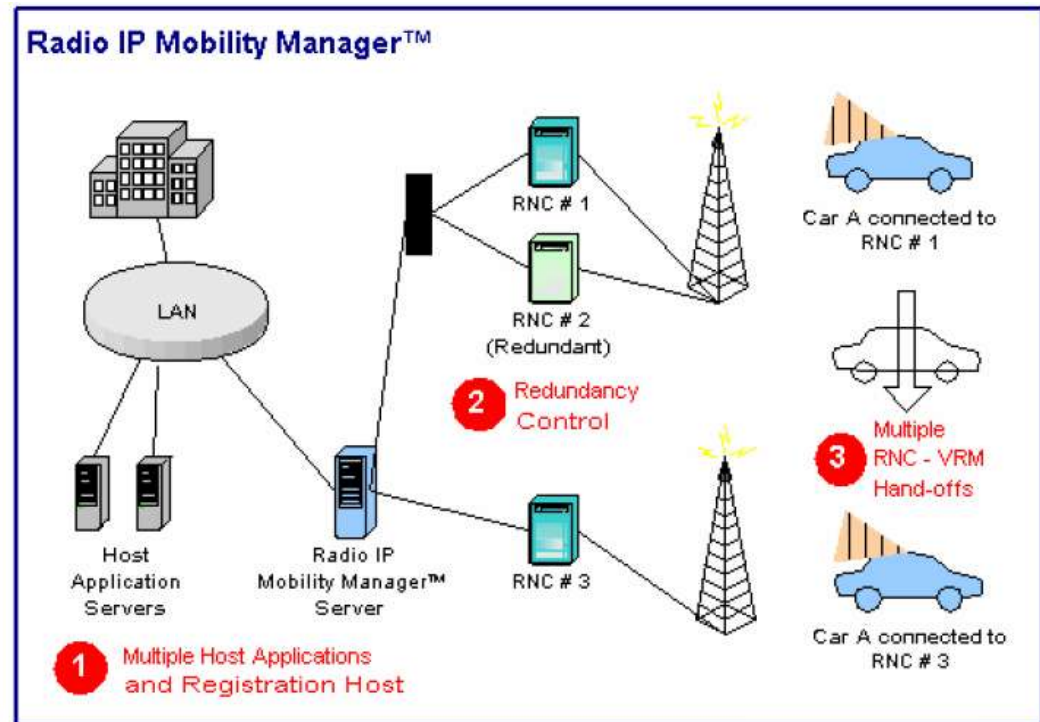
GUI interface Assign names to mobiles and create groups according to your needs

Mobile Registration
To one or Multiple RNC's

Hot Standby: GUI Backup System

Support Multiple Hosts: Create redundancy control

Supports multiple applications without requiring complex Man-Machine Interfaces and cryptic programming commands.



MTG for POCKET PC



- Brings RadiIP to PDA's and PocketPC's
- Send all applications (including TN3270) to the PDA

Configurations include

Portable Coverage

- 802.11g to the PDA

Mobile Extended Coverage

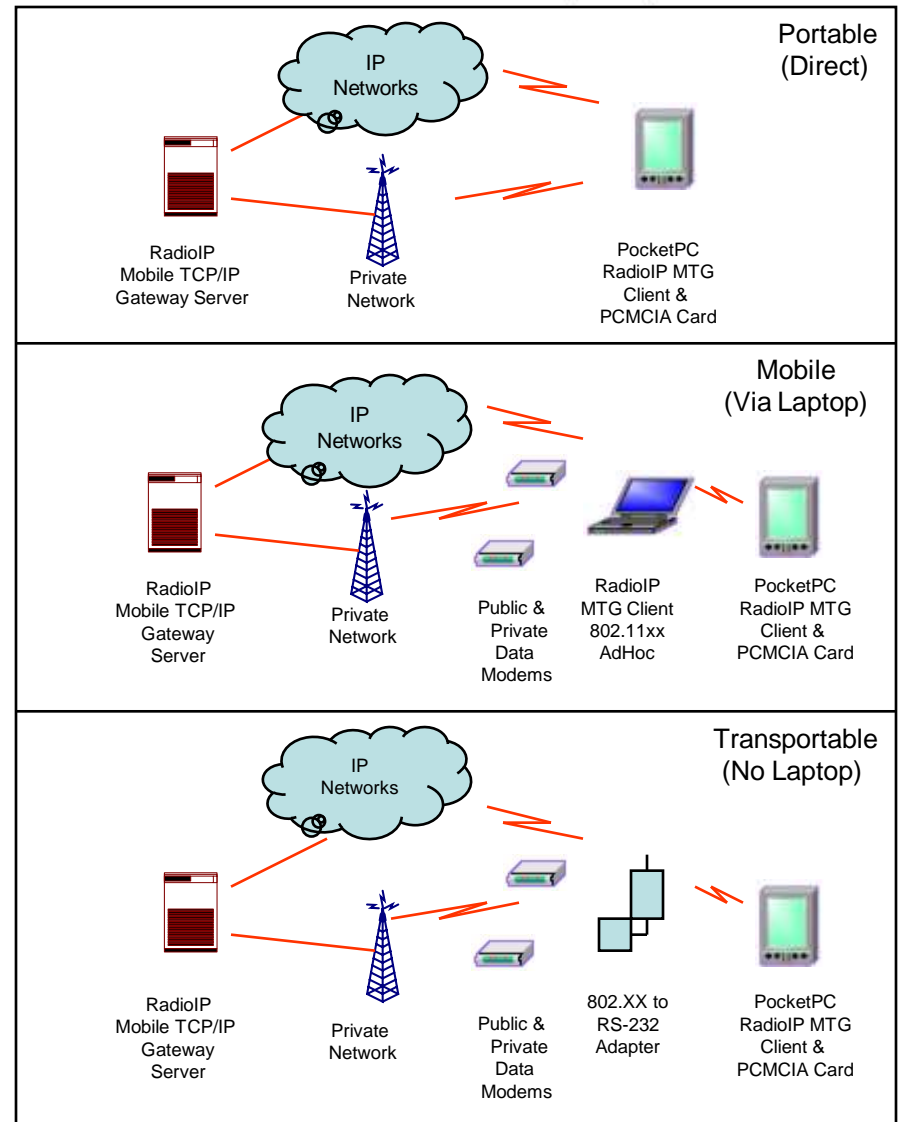
- AdHoc via RD-LAP and Computer to PDA

Transportable

- Connectivity via direct modem

Client Products:

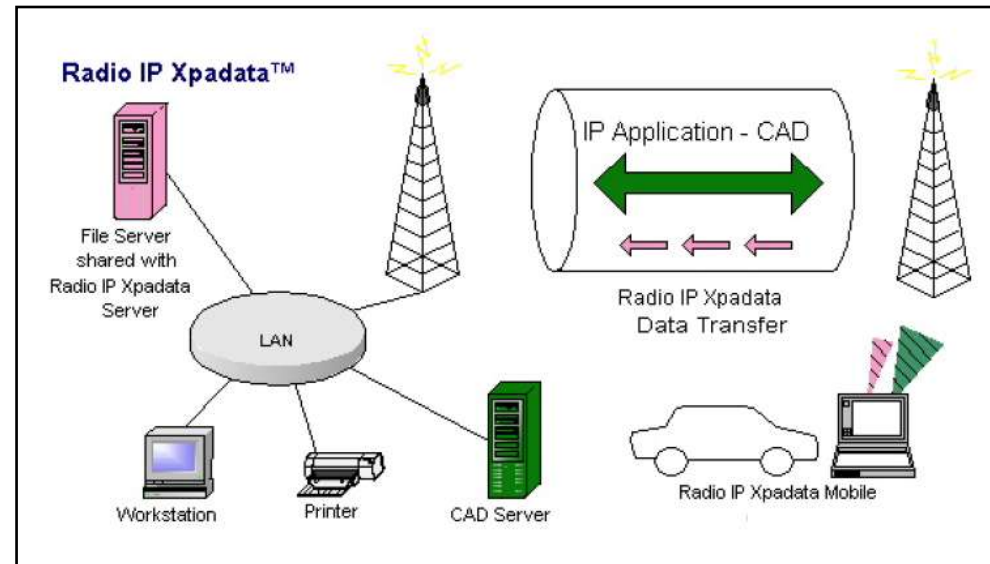
- Windows CE
- Windows.NET for Pocket PC
- iPAQ, HP, Symbol etc



XPADATA



- Supports the sending of large files during unused network time
- Parses out and reassembles files
- Does not impact routine messaging
- Sends files when completed to specific LAN, Printer, CAD, Email, FAX mailboxes
- Multiple users can transfer data at the same time while maintaining network performance
- Manages large file transfers
- Automatically reconnects and continues sending files if a connection is dropped.
- No need to restart the file



NEED MORE INFORMATION



David Torres
Director of Business Development
877 717 2242 xt 429
David.Torres@radio-ip.com

Daniel S Freeman
Principle, Wireless Mobiledata
650 726 7791
dsfreeman@wirelessmobiledata.com