

# DIRECTIONAL ANTENNA INSTALLATION KITS



VAPOR WRAP SEALING KIT  
DBL11317



36" Jumper, N-M/TNC-M LMR195  
CUSTOM MISC CABLE ASSY



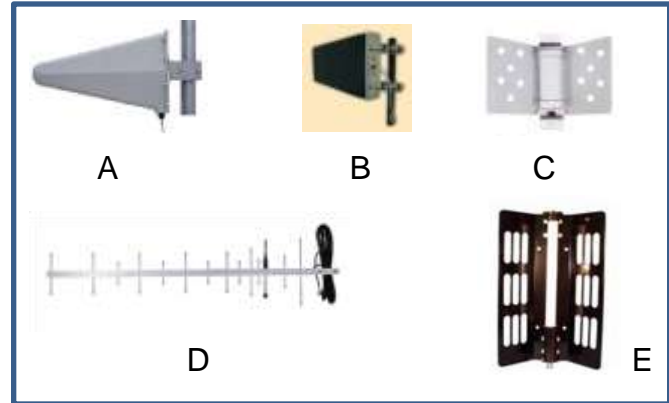
XX FEET LMR-400 w/ N-M x2  
CXTA40A-XX (FT)  
LOW LOSS TRANSMISSION LINE  
**SPECIFY LENGTH OF CABLE**



LIGHTNING PROTECTOR  
POLDSXL  
w/ N-F Connectors

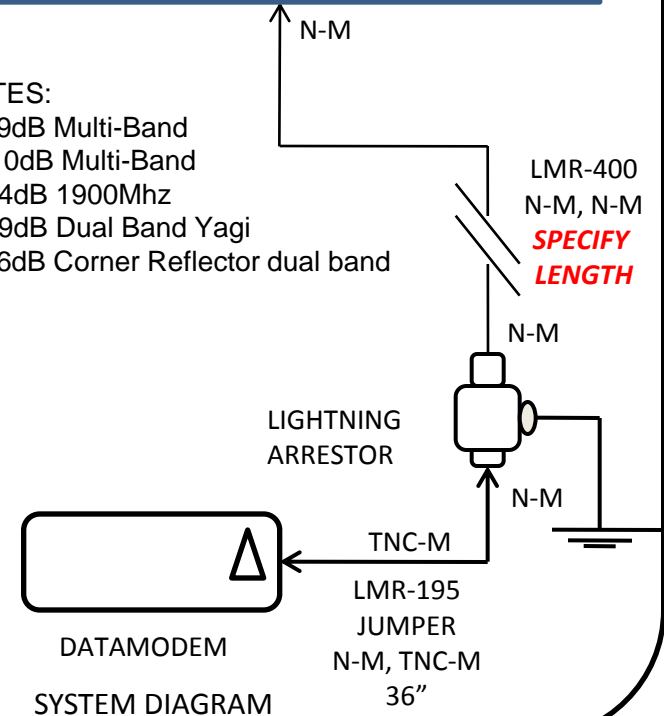


GROUND KIT, LMR400  
TIMGK-S400TT



NOTES:

- A: 9dB Multi-Band
- B: 10dB Multi-Band
- C: 14dB 1900Mhz
- D: 19dB Dual Band Yagi
- E: 6dB Corner Reflector dual band





Antenna A

**WMDMB825**

Directional 9dB Gain dual/multi band cell phone antenna - for 800/850MHz Cellular and 1900MHz PCS, 800/900MHz iDEN/Nextel/SMR, Euro/Asian standard 900MHz and 1800MHz, WCDMA 2.1GHz and the 2.5GHz WiFi band.

*Compatible with all generations of CDMA, GSM and TDMA including GSM, GPRS, EDGE, UMTS, HSDPA, CDMA, 1xRTT, EVDO, TDMA, AMPS, iDEN, Nextel and more in the 800MHz to 2500MHz band .*

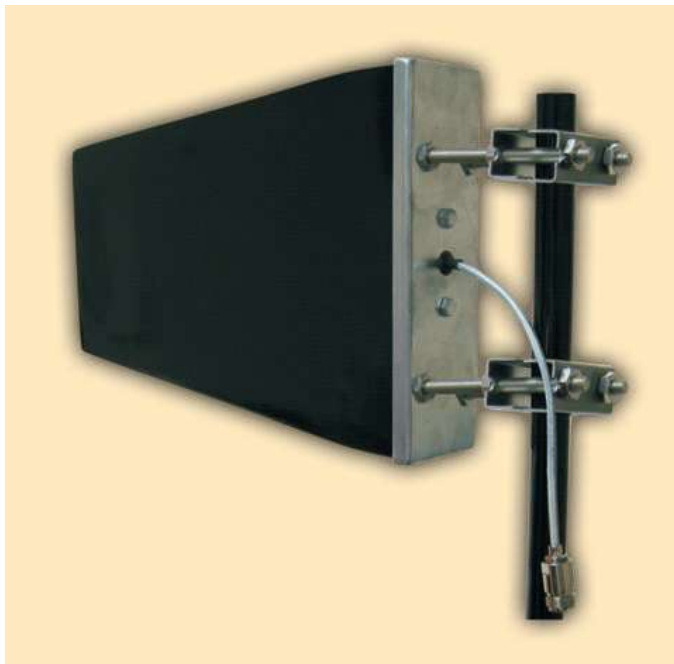
Includes 18" outdoor rated N –Female Connector

**Antenna B**

**WMD 489-DB**

Mount: Integrated brackets for pole.

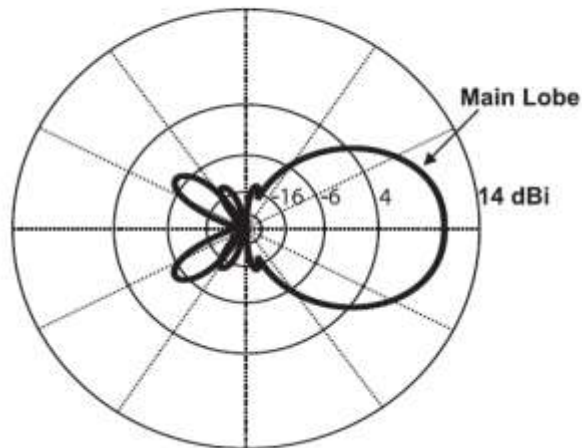
Connector: Highest quality Type N female.



A completely unique multi-band directional antenna which covers the entire spectrum from 800 MHz to 2.5 GHz and can be used for all cellular frequencies including North American standard 850 & 1900 MHz bands, Euro/Asian standard 900 & 1800 MHz bands, WCDMA at 2.1 GHz, Nextel 800 MHz, and the 2.5 GHz WiFi band. Designed for easy outside installation on a mast/pole, the WMD489-DB multi-band directional antenna is ideal for installation outside homes, offices and commercial buildings in areas of low cellular signal strength. The innovative product offers excellent signal pulling power for fixed installations where previously few solutions existed.

Radiation Pattern	Directional
Gain	10 dBi
Beam Width	H80° V60°
Bandwidth VSWR < 1.5:5	800 - 2500 MHz
Front-to-back Ratio	>23 dB
Polarization	Vertical
Impedance	50 ohms
Max input power	100 watts
Dimensions	18" l x 8.5" h x 2.5" d (457 x 216 x 63.5 mm)
RF Connector	Type N female
Installation	Pole mount
Cable	6" low loss DA240
Antenna Color	Black high gloss
Temperature	-40 to +167° F (-40 to +75° C)
Weight	2.6 lbs (41.8 oz)
Wind Rating	> 100 MPH

0° Azimuth Field Plot  
Digital Antenna 10 dB Gain Multi-Band Antenna



## WMDCSI-ARC/1.6-2/14 -14dBi PCS Corner Reflector (1850MHz-1950MHz).

Antenna C

Our highest gain, directional corner reflector *antenna* - for 1900MHz PCS only. Compatible with all generations of CDMA, GSM and TDMA including GSM, GPRS, EDGE, UMTS, HSDPA, CDMA, 1xRTT, EVDO, TDMA - 1900MHz PCS Band Only

Since this is a single band 1900MHz PCS antenna it will only work with Sprint PCS, T-Mobile, and other 1900MHz PCS Signals. In particular, it will not work on 800MHz/850MHz Cellular or iDEN (Nextel, Southern LINC, Mike) signals.

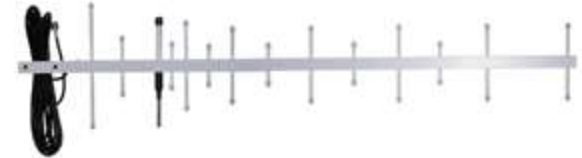


## WMDSWYA14 19 dBi High Gain Dual Band Yagi Cellular/PCS Antenna Kit

Antenna D

19 dBi High Gain Dual Band Yagi cellular/PCS Antenna Kit is the most powerful directional antenna for increasing signal strength in rural areas. The 14 Element Yagi is a directional antenna that is pointed directly at your service providers nearest cell tower, designed for fixed installations.

<b>Width</b>	34in
<b>Weight</b>	1.25
<b>Height</b>	7.5in
<b>Directivity</b>	Directional
<b>Gain</b>	19 dBi
<b>Warranty</b>	1 Year
<b>Frequency Range</b>	824-896 1860-1960MHz
<b>Impedance</b>	50 ohm
<b>Max input Power</b>	50 Watts
<b>Wind Rating</b>	125 MPH
<b>Radiation Pattern</b>	Directional
<b>Polarization</b>	Vertical or Horizontal
<b>Ground Plane</b>	Built-In Ground Plane
<b>RF Connector</b>	TNC Female
<b>Mounting Hardware</b>	Mounts on Pipe w/ .5" to 1.5" Diameter
<b>installation</b>	Must be vertically installed
<b>Material</b>	Aluminum
<b>Cable</b>	RG58U - 20 feet
	-E Plane Beamwidth : 35 degrees
	-H Plane Beamwidth : 40 degrees
	-SWR : 1.9 :1 or less



Note: This antenna terminates in a TNC-F. Add TNC-M to N-F below to mate to the N-M Transmission Line



## 825-940 / 1850-1990 MHz 6dBd Gain 60o DUAL BAND

### SECTOR ANTENNA

**Reliable Performance:** Rated at 250 watts and 6dBd gain, you can expect years of continuous service. This antenna provides 60° coverage at full gain.

**Rugged Construction:** The radiating elements are constructed of copper alloy. The elements are welded and/or soldered to prevent and intermodulation. The elements are then encased in a fiberglass radome for total environment protection.

**Weatherproof:** The fiberglass radome is ultraviolet inhibited. The heavy wall mounting sleeve and reflector assembly are epoxy powder coated aluminum for superior weather protection.

**Lightweight:** These antennas are lightweight at less than 4 lbs. but are designed to easily withstand winds of 125 MPH.

**Simple Installation:** The supplied mount kit consists of downtilt adjustable heavy duty aluminum V block and stainless steel V bolts.

#### ELECTRICAL SPECIFICATIONS:

**FREQUENCY:** 825-940MHz

1850-1990MHz

**GAIN:** 6dBd

**VSWR:** <2:1

**FRONT TO BACK:** 25 dB

**POWER RATING:** 250 watts

**IMPEDANCE:** 50 ohms

**VERT BEAMWIDTH:** 55°

**HORIZ BEAMWIDTH:** 60°

#### MECHANICAL SPECIFICATIONS:

**RADIATOR:** Internal copper alloy elements

**REFLECTOR ASSY:** Powder coated Aluminum 15" H x 10" W

**RADOME:** White UV inhibited fiberglass

**TERMINATION:** Female N

**HEIGHT:** 15"

**WIDTH:** 10"

**WEIGHT:** 4 lbs.

**FLAT PLATE AREA:** 1.0 ft<sup>2</sup>

**WIND RATING:** 125 MPH

**LATERAL THRUST:** 40 lbs.

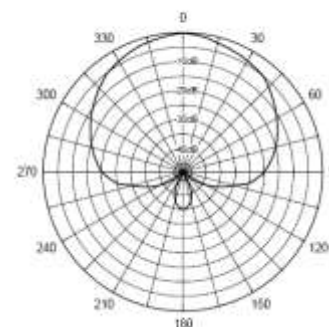
**MOUNTING:** Stainless V Bolts, Aluminum V Block

2 ½" Dia. Max.

Antenna E



Horizontal Pattern



Vertical Pattern

